

# DDX8

## Ultra-Compact Full Range System



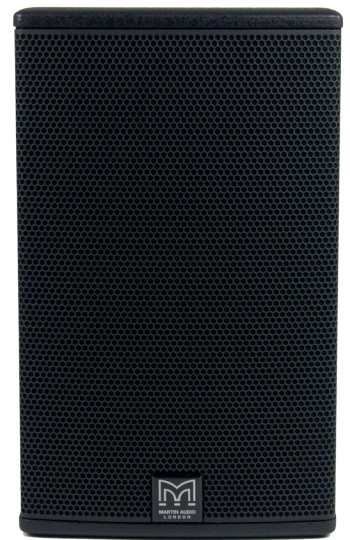
# DDX

### Features

- Multi-purpose, professional, passive full range systems
- Coaxial Differential Dispersion technology achieves 'point source' performance and optimum coverage footprint across the audience plane
- Compact, multi-angle enclosures for vertical and horizontal orientation and stage monitor use
- Drivers can be rotated for vertical or horizontal operation by removing screw-free perforated steel grilles

### Applications

- Live sound reinforcement and portable systems
- Stage monitors and sidefills
- Theatre sound
- Corporate AV events
- Fixed installations in Government, Education, Museums, Hotels and hospitality



DDX8 is part of the DDX series. Combining the 'point-source' benefits of coaxial designs with the consistent coverage of differential dispersion technology, DDX full-range systems project sound evenly front-to-back while exhibiting wide horizontal coverage close to the speaker — delivering ultimate fidelity and impact to all corners of the audience.

The DDX8 is an ultra-compact two-way passive loudspeaker system with an integrated 8" (200mm) LF/1" (25mm) exit HF Coaxial Differential Dispersion driver which can be easily rotated for horizontal or vertical orientation depending on venue design requirements. Its very small size gives no indication of its high output capability.

As a stand-alone loudspeaker, it has a multitude of professional applications — from distributed sound reinforcement, AV events to frontfill/infill and use as a micro stage monitor,

as well as fixed installations into in government, education, museums, hotels and hospitality venues.

DDX8 can be supplemented by subwoofers in the SX series and can deliver pristine sound over short and medium throw distances with excellent coverage and consistency. The X8 is constructed from durable plywood, finished with hard wearing black textured coating paint, and fitted with a screw-free steel grille, M8 inserts for a wall bracket and eyebolt suspension, plus a pole mount socket.

Ergonomic handles at the rear of the enclosure make for easy handling while maintaining clean lines.

# DDX8

## Ultra-Compact Full Range System



### Technical Specifications

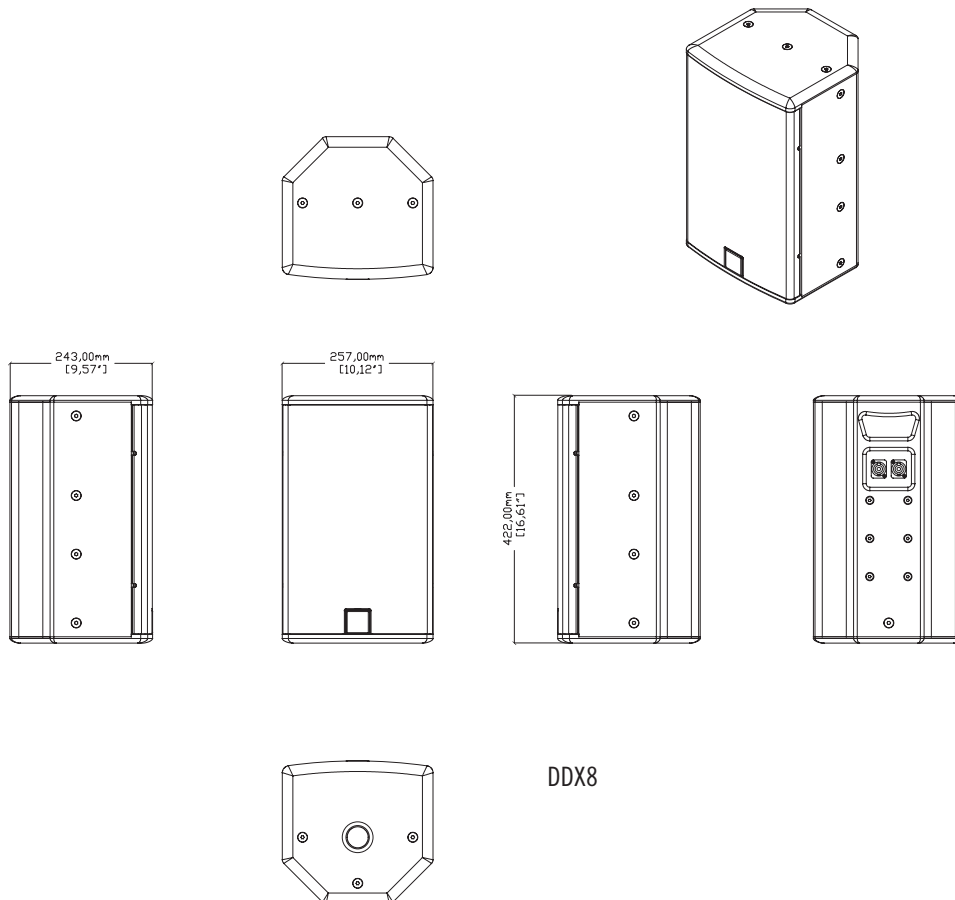
TYPE	Ultra-Compact, coaxial differential dispersion passive two-way system
FREQUENCY RESPONSE (5)	70Hz-20kHz $\pm$ 3dB, -10dB @ 55Hz
DRIVERS	LF: 8" (200mm)/2" (50mm) voice coil, long excursion, shared ferrite motor system with HF HF: 1" (25mm) exit/1.4" (38mm) voice coil, polyimide dome compression driver
RATED POWER (2)	200W AES, 800W peak
RECOMMENDED AMPLIFIER	VIA 2502 or VIA 2004
SENSITIVITY (8)	94dB
MAXIMUM SPL (9)	117dB continuous, 123dB peak
NOMINAL IMPEDANCE	8 $\Omega$
DISPERSION	110°-80° horizontal, 60° vertical (user-rotatable)
CROSSOVER	2.3kHz passive
ENCLOSURE	Multi-angle birch/poplar ply
FINISH	Black textured paint
PROTECTIVE GRILLE	Black perforated steel with scrim cloth backing
CONNECTORS	2 x NL4 type
PIN CONNECTIONS	1+/-1-
PIN CONNECTIONS	1+/- to 1+/-
FITTINGS	13 x M8, 6 x M6 inserts, pole-mount socket, 1 x pocket handle
DIMENSIONS	(W) 257mm x (H) 422mm x (D) 243mm (W) 10.1ins x (H) 16.6ins x (D) 9.6ins
WEIGHT	10.5kg (23.15lbs)
ACCESSORIES	Wall bracket, eyebolts, pole

#### Notes

- (1) Measured on-axis in half (2pi) space at 2 metres, then referred to 1 metre.
- (2) AES Standard ANSI S4.26-1984.
- (3) Measured in half (2pi) space at 2 metres with 1 watt input, using band limited pink noise, then referred to 1 metre.
- (4) Measured in half (2pi) space at 2 metres using band limited pink noise, then referred to 1 metre.
- (5) Measured on-axis in open (4pi) space at 2 metres, then referred to 1 metre.
- (6) Measured in open (4pi) space at 2 metres with 1 watt input, using band limited pink noise, then referred to 1 metre.
- (7) Measured in open (4pi) space at 2 metres using band limited pink noise, then referred to 1 metre.
- (8) Measured in open (4pi) space at 2 metres with 2.83V input, using band limited pink noise, then referred to 1 metre.
- (9) Calculated at 1 metre.
- (10) Measured in half (2pi) space at 2 metres with 2.83V input, using band limited pink noise, then referred to 1 metre.

#### Trade Descriptions Act

Due to Martin Audio's policy of continuing improvement, we reserve the right to alter these specifications without prior notice. Martin Audio is committed to refining state of the art sound reinforcement, combining in-depth product and field applications research with advanced manufacturing techniques. Every Martin Audio product is built to the highest manufacturing standards and rigorously tested to ensure that it meets the performance criteria specified in the design.



DDX8

Martin Audio Ltd  
Century Point, Halifax Road, High Wycombe  
Buckinghamshire HP12 3SL, England

Telephone: +44 (0) 1494 535 312  
Facsimile: +44 (0) 1494 438 669  
Email: [info@martin-audio.com](mailto:info@martin-audio.com)

All information is Copyright © 2020 Martin Audio Ltd.



[www.martin-audio.com](http://www.martin-audio.com)